

HOW TO ENABLE FEEDBACK FEATURE WITH SIGMA DEVICES



TO WORK WITH SIGMA READERS, MWC

IF USING MORPHOMANAGER
SOFTWARE

ACRONYMS

UP=USER POLICY

BDP=BIOMETRIC DEVICE PROFILE

MM=MORPHO MANAGER

ACP=ACCESS CONTROL PANEL

CSN=CARD SERIAL NUMBER

SI=SYSTEM INTEGRATOR

MORPHOMANAGER DEFAULT LOG IN

USERNAME-ADMINISTRATOR

PASSWORD-PASSWORD

BIOMETRIC DEVICE PROFILE

Path Administration>Biometric Device Profile

The Biometric Device Profile will define common settings and parameters for one or more biometric devices. This profile can be applied when adding units into the system from the Biometric Device section of Administration

BIOMETRIC DEVICE PROFILE

EDIT THE BIOMETRIC DEVICE PROFILE ASSUMING THE BDP IS SET UP ALREADY

Operator

Key Policy

Biometric Device Profile

Biometric Device

Wiegand Profiles

User Policy

Access Schedules

User Distribution Group

User Authentication Mode

Enter details for the Biometric Device Profile

Name: Default

Description:

Configuration Mode: Express

Log Retrieval Enabled:

Log retrieval interval: 300 (seconds)

Duplicate check on biometrics: (Does not apply to Morpho 3D Face or MorphoTablet. Only applicable to new user adds or rebuild operations)

MorphoAccess heartbeat interval: 30 (seconds)

Key Policy: Default



BIOMETRIC DEVICE PROFILE

Access Control Mode Settings

Access Control Mode:

Wiegand Out Enabled:

Clock and Data Out Enabled:

Panel Feedback Mode: ←

Panel Feedback No Response Timeout: (in milliseconds)

Relay Enabled:

Relay Duration: (in 10s of milliseconds)

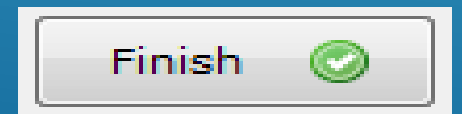
Push To Exit Enabled:

Request to Exit Egress Timeout: (in milliseconds - please refer to the MorphoAccess Sigma Series Administration Guide for further information)

Duress Wiegand Mode:

Duress Wiegand Profile:

LED IN NEEDS TO BE SELECTED



IF NOT USING MORPHOMANAGER
SOFTWARE

DOWNLOAD THE MORPHOTOOL BOX

Get it here [HTTPS://SERVICE.MORPHOTRAK.COM/SOFTWARE-LINKS.HTML](https://service.morphotrak.com/software-links.html)

Morpho Tool Box 4.3.3

use with Sigma and Morpho Products

Morpho Tool box 4.3.3 (new)

* please uninstall old MTB before
installing new one

THIS PDF THE EXAMPLE IS WITH MBTB 4.3.3

CONNECT TO THE READER WITH THE MORPHOTOOL BOX

Terminal Type

Connection information

TCP / IP Serial

Address type IP4 IP6 Host Name

Address

Port

Timeout Seconds [5-30]

Use SSL / TLS

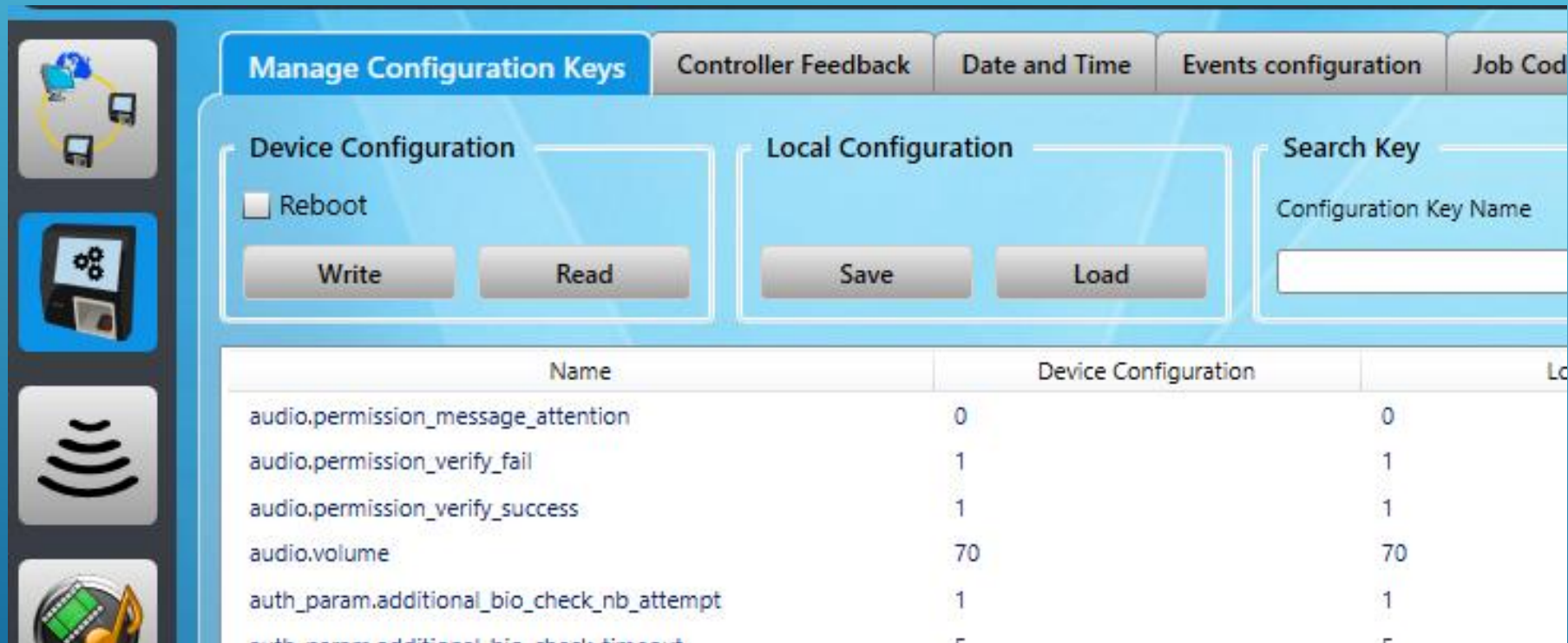
Terminal CA certificate path

Client certificate path

Client certificate password

←

CLICK SECOND ICON DOWN



Manage Configuration Keys Controller Feedback Date and Time Events configuration Job Cod

Device Configuration

Reboot

Write Read

Local Configuration

Save Load

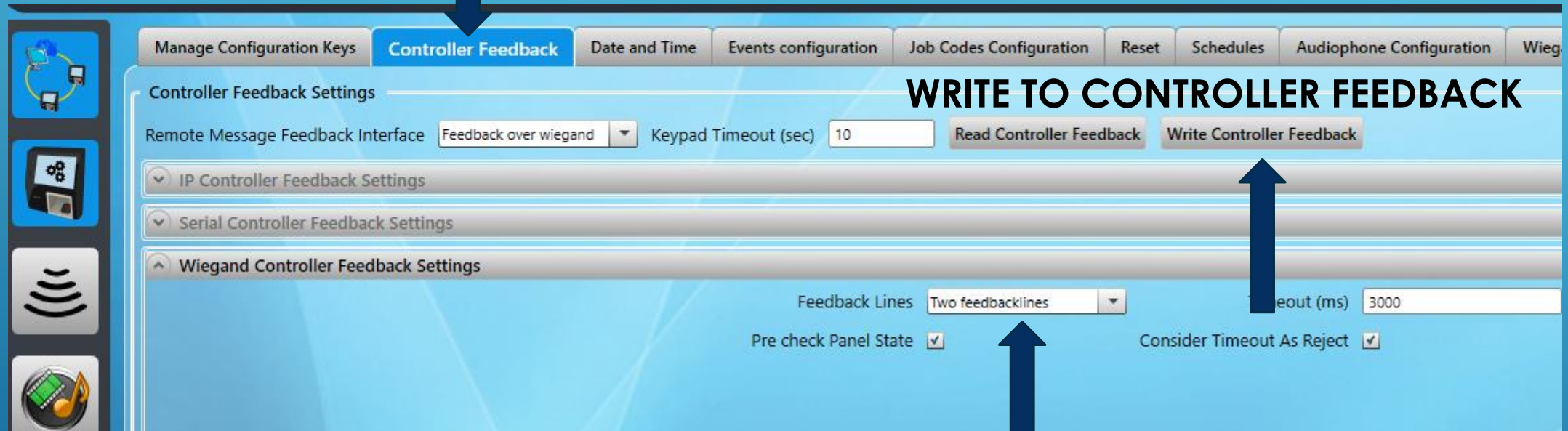
Search Key

Configuration Key Name

Name	Device Configuration	Local Configuration
audio.permission_message_attention	0	0
audio.permission_verify_fail	1	1
audio.permission_verify_success	1	1
audio.volume	70	70
auth_param.additional_bio_check_nb_attempt	1	1
auth_param.additional_bio_check_timeout	5	5

CLICK CONTROLLER FEEDBACK

CLICK ON CONTROLLER FEEDBACK



The screenshot shows a web interface with a navigation bar at the top containing tabs: Manage Configuration Keys, Controller Feedback, Date and Time, Events configuration, Job Codes Configuration, Reset, Schedules, Audiophone Configuration, and Wieg. The 'Controller Feedback' tab is selected. Below the navigation bar, the page title is 'Controller Feedback Settings'. The main content area includes a 'Remote Message Feedback Interface' section with a dropdown menu set to 'Feedback over wiegand' and a 'Keypad Timeout (sec)' field set to '10'. To the right of these fields are two buttons: 'Read Controller Feedback' and 'Write Controller Feedback'. Below this are three expandable sections: 'IP Controller Feedback Settings', 'Serial Controller Feedback Settings', and 'Wiegand Controller Feedback Settings'. The 'Wiegand Controller Feedback Settings' section is expanded, showing a 'Feedback Lines' dropdown menu set to 'Two feedbacklines', a 'Timeout (ms)' field set to '3000', and two checked checkboxes: 'Pre check Panel State' and 'Consider Timeout As Reject'. A vertical sidebar on the left contains four icons: a network diagram, a keypad, a signal tower, and a musical note. A large blue arrow points from the top text to the 'Controller Feedback' tab. Another blue arrow points from the left sidebar to the 'Controller Feedback' tab. A third blue arrow points from the bottom text to the 'Feedback Lines' dropdown menu. A fourth blue arrow points from the bottom text to the 'Write Controller Feedback' button.

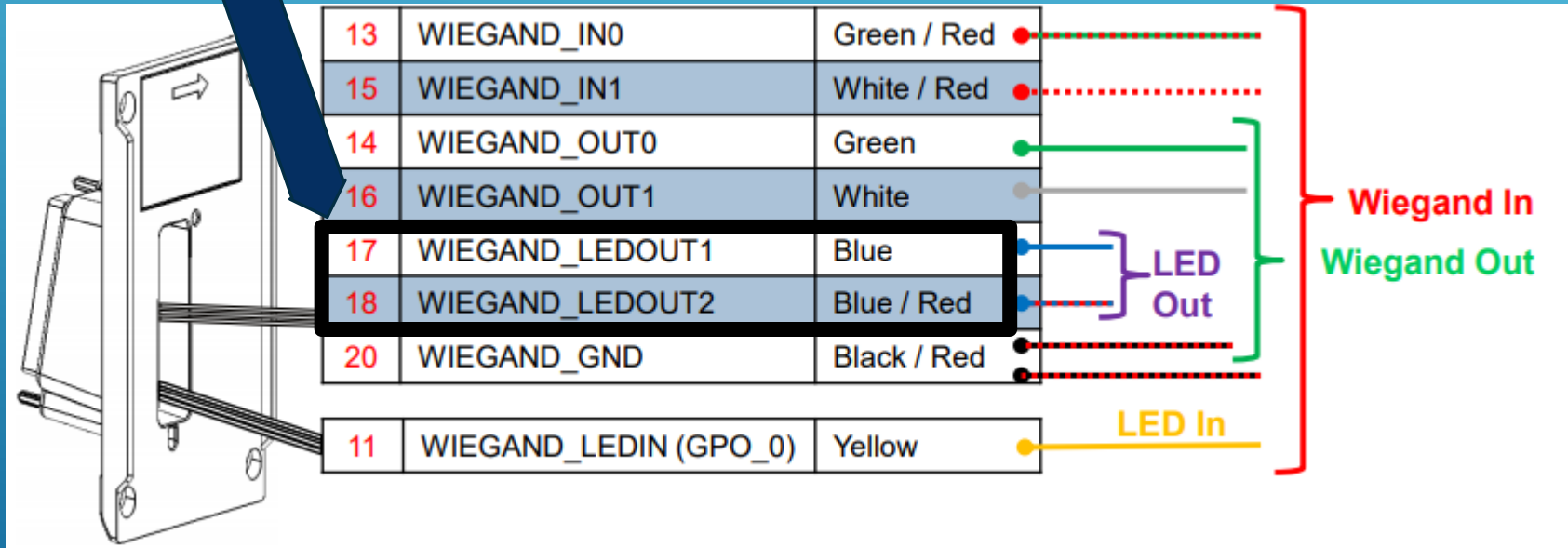
WRITE TO CONTROLLER FEEDBACK

SELECT TWO FEEDBACK LINES REGARDLESS IF YOUR USING ONE OR TWO WIRES

FEEDBACK WIRING

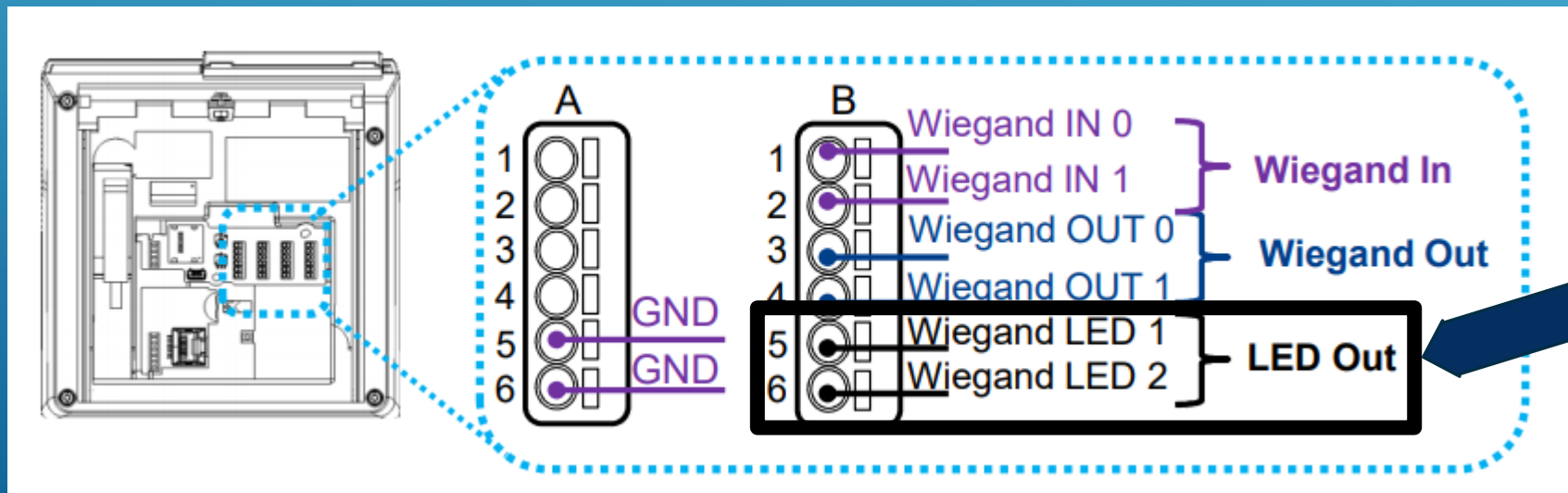
WIRING FOR SIGMA LITE

BLUE FOR ACCESS GRANTED
BLUE/RED FOR ACCESS DENIED
IT IS NOT REQUIRE FOR SECOND WIRE IF PANEL DOES
NOT SUPPORT TWO WIRE FEEDBACK



WIRING FOR SIGMA WITH PUSH IN TERMINAL WIRES

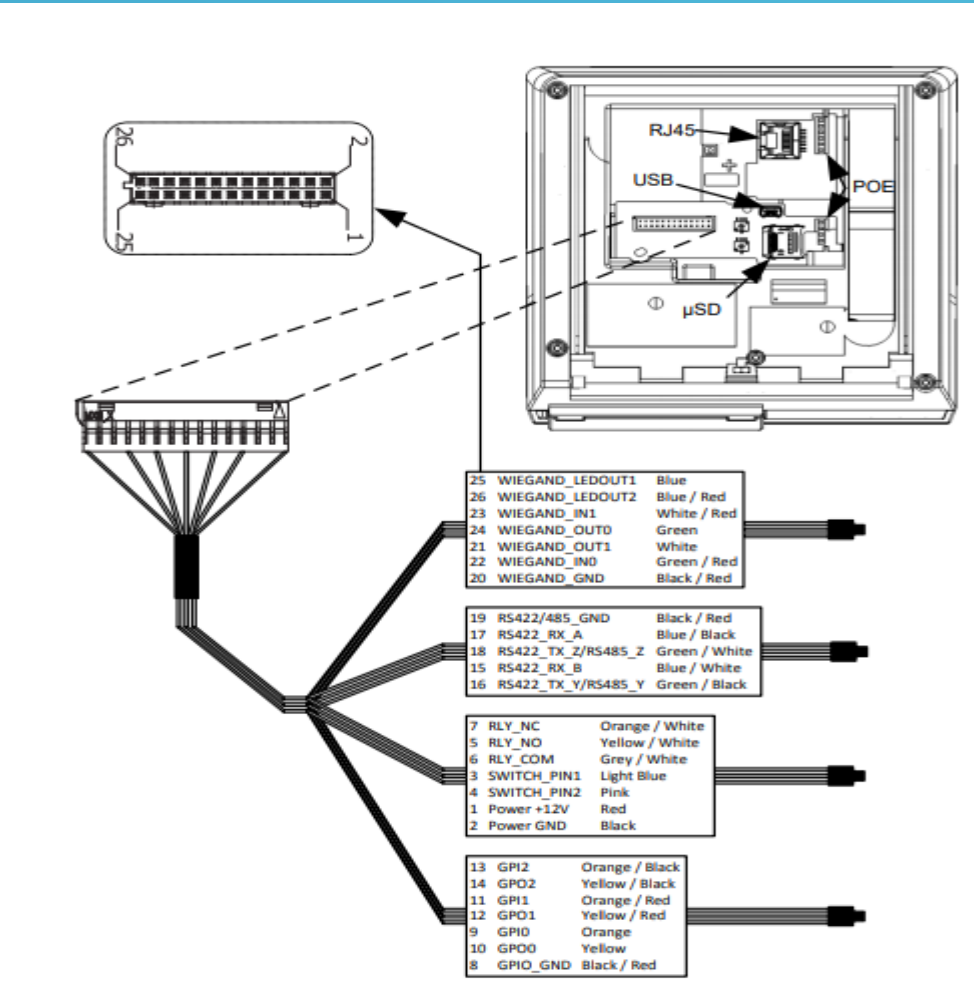
BLUE FOR ACCESS GRANTED
BLUE/RED FOR ACCESS DENIED
IT IS NOT REQUIRE FOR SECOND WIRE IF PANEL DOES
NOT SUPPORT TWO WIRE FEEDBACK



WIRING FOR SIGMA WITH PIGTAIL DESIGN



BLUE FOR ACCESS GRANTED
BLUE/RED FOR ACCESS DENIED
 IT IS NOT REQUIRE FOR SECOND WIRE IF PANEL DOES NOT SUPPORT TWO WIRE FEEDBACK



25	WIEGAND_LEDOUT1	Blue
26	WIEGAND_LEDOUT2	Blue / Red
23	WIEGAND_IN1	White / Red
24	WIEGAND_OUT0	Green
21	WIEGAND_OUT1	White
22	WIEGAND_IN0	Green / Red
20	WIEGAND_GND	Black / Red

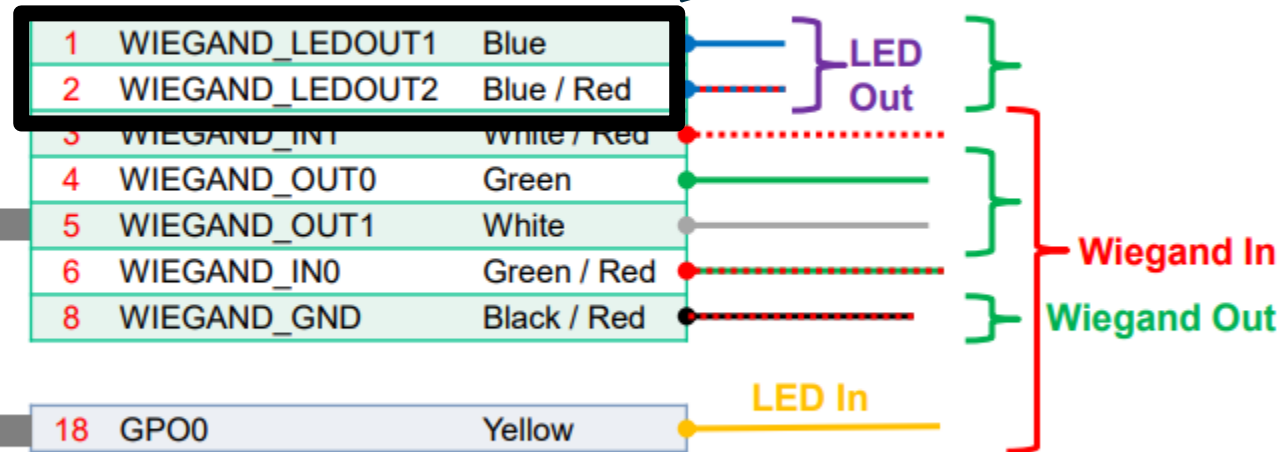
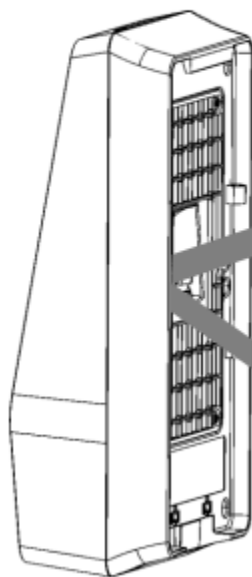


WIRING FOR SIGMA EXTREME

BLUE FOR ACCESS GRANTED
BLUE/RED FOR ACCESS DENIED
IT IS NOT REQUIRE FOR SECOND WIRE IF PANEL DOES
NOT SUPPORT TWO WIRE FEEDBACK



Wiegand Communication

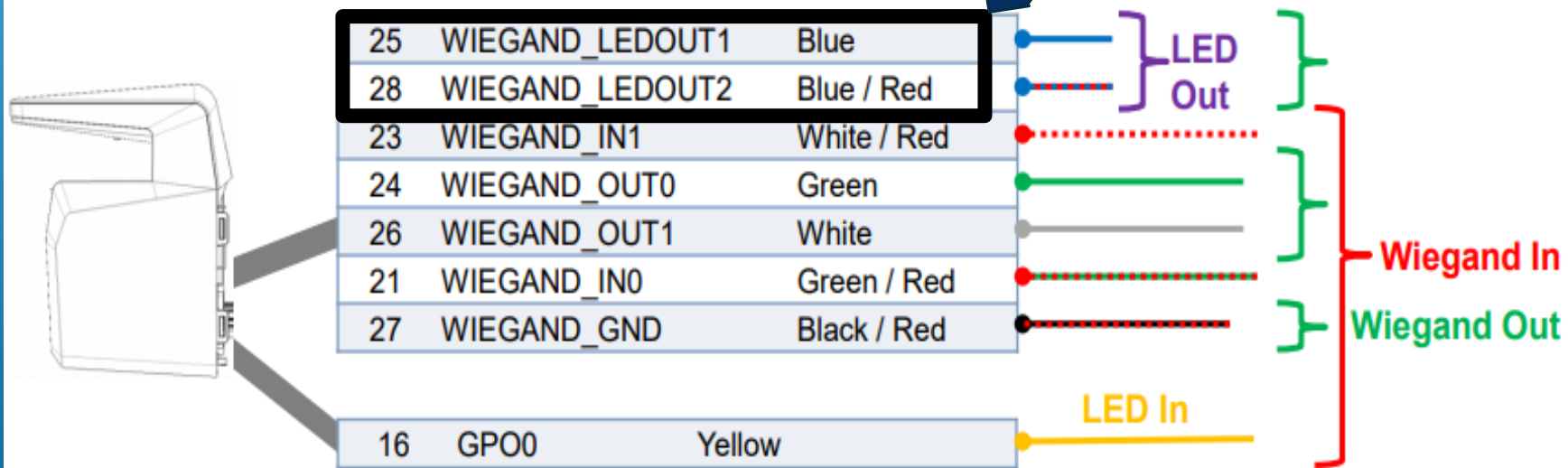


WIRING FOR MWC

BLUE FOR ACCESS GRANTED
BLUE/RED FOR ACCESS DENIED
IT IS NOT REQUIRE FOR SECOND WIRE IF PANEL DOES
NOT SUPPORT TWO WIRE FEEDBACK



Wiegand Communication



FINAL RESOLUTION

REGARDLESS OF WHICH READER YOU USE, SIGMA, SIGMA LITE, SIGMA EXTREME OR MWC, ONE LED WIRE NEEDS TO BE CONNECTED TO YOUR PANEL AND THE THREE WIEGAND LINES

DATA 0 OUT-GREEN

DATA 1 OUT-WHITE

WIEGAND GROUND BLACK/RED

LEDOUT 1-BLUE

LEDOUT 2 BLUE/RED (NOT REQUIRED IF PANEL DOES NOT SUPPORT TWO FEEDBACK)

WEBSITE

Please visit our website,
service.morphotrak.com for
software, firmware, videos and
PDF'S